

General Specifications

Models WV1A, WV1V
Manual Setter

JUXTA

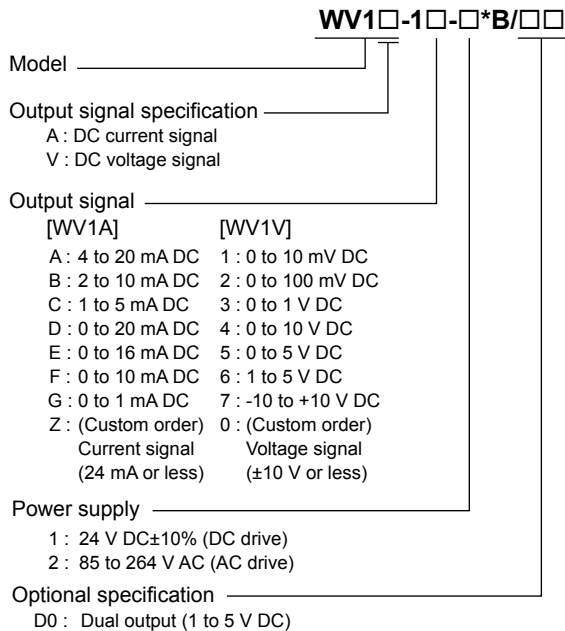
GS 77J09V01-01E

■ General

The WV1A/WV1V is a compact, front terminal connection type manual setter that outputs arbitrarily linearized DC current or DC voltage signals by changing set-volume.

- Available as a transmitter for a loop back test on-site.
- Addition/subtraction of I/O signals can be performed in combination with an isolator.
- Dual output specifications are available upon requests.

■ Model and Suffix Codes



■ Ordering Information

Specify the following when ordering.

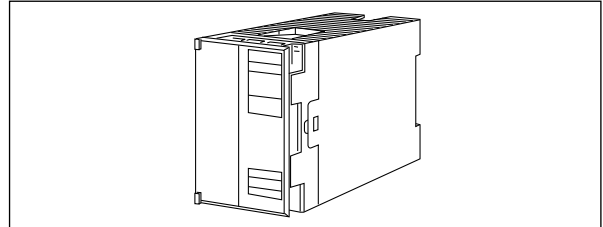
- Model and suffix codes :e.g. WV1V-16-2*B

■ Output Specifications

Output signal: DC current or DC voltage signal
 Allowable load resistance:

DC current output	Allowable load resistance	DC voltage output	Allowable load resistance
4 to 20 mA	750 Ω or less	0 to 10 mV	250 kΩ or more
2 to 10 mA	1500 Ω or less	0 to 100 mV	250 kΩ or more
1 to 5 mA	3000 Ω or less	0 to 1 V	2 kΩ or more
0 to 20 mA	750 Ω or less	0 to 10 V	10 kΩ or more
0 to 16 mA	900 Ω or less	0 to 5 V	2 kΩ or more
0 to 10 mA	1500 Ω or less	1 to 5 V	2 kΩ or more
0 to 1 mA	15 kΩ or less	-10 to 10 V	10 kΩ or more

Monitor output signal range: 0 to 1 V DC (0 to 100%)



■ Standard Performance

Accuracy rating: ±0.1% of span (for monitor output)
 Accuracy is not guaranteed for output level less than 0.5% of the span of a 0 to X mA output range type.

Dual output (optional): Relative error between output 1 and 2 is within ±0.2%. These outputs are not insulated.

Insulation resistance: 100 MΩ or more at 500 V DC between (output and monitor output) and power supply, power supply and ground, and (output and monitor output) and ground.

Withstand voltage:

DC drive 500 V AC/min. between (output and monitor output) and power supply.

AC drive 1500 V AC/min. between (output and monitor output) and power supply, power supply and ground, and (output and monitor output) and ground.

■ Environmental Conditions

Operating temperature range: 0 to 50°C

Operating humidity range: 5 to 90% RH (no condensation)

Power supply voltage: 85 to 264 V AC, 47 to 63Hz or 24 V DC±10%

Effect of power supply voltage fluctuations: ±0.1% of span or less for fluctuation within the operating range of power supply voltage specification.

Effect of load resistance: ±0.05% of span or less (at allowable load resistance range.)

Effect of ambient temperature change: ±0.2% of span or less for a temperature change of 10°C.

Current consumption:

24 V DC 90 mA (WV1A), 50 mA (WV1V)

Power consumption:

100 V AC 7 VA (WV1A), 5.5 VA (WV1V)

■ Mounting and Dimensions

Material: ABS resin (Case body)

Mounting method: Rack, Wall or DIN rail mounting

Connection method: M4 screw terminals

External dimensions: 72 (H) × 48 (W) × 127 (D) mm

Weight: DC; Approx.150g, AC; Approx.300g

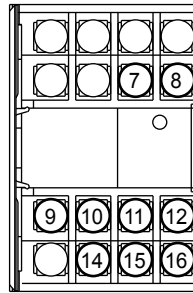
Standard Accessories

Tag number label: 1
 Mounting block: 2
 Mounting screw: M4 screw x 4

Custom Order Specifications

	Current signal	Voltage signal
Output range (DC)	0 to 24 mA	-10 to +10 V
Span (DC)	1 to 24 mA	10 mV to 20 V
Zero elevation	0 to 200%	-100 to +200%

Terminal Assignments

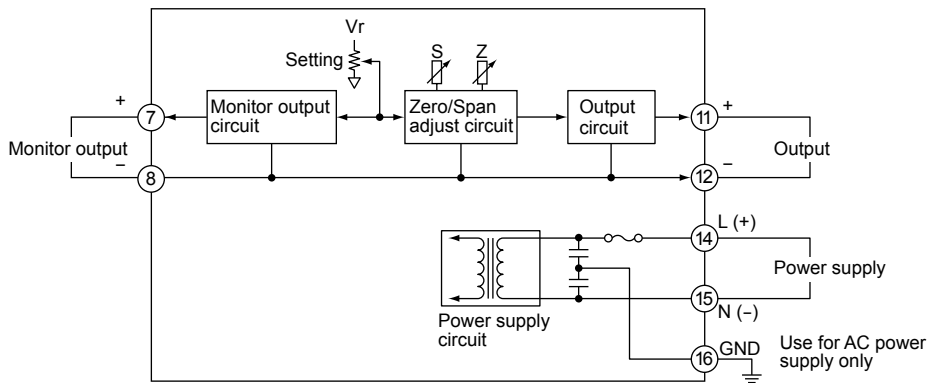


7	Monitor (+)
8	Monitor (-)
9	Output 2 (+)
10	Output 2 (-)
11	Output 1 (+)
12	Output 1 (-)
14	Supply (L+)
15	Supply (N-)
16	Ground (GND)*

Terminals 9-10 are used for Output 2 in case dual output is specified.

*: Use for AC power supply only

Block Diagram



External Dimensions

